

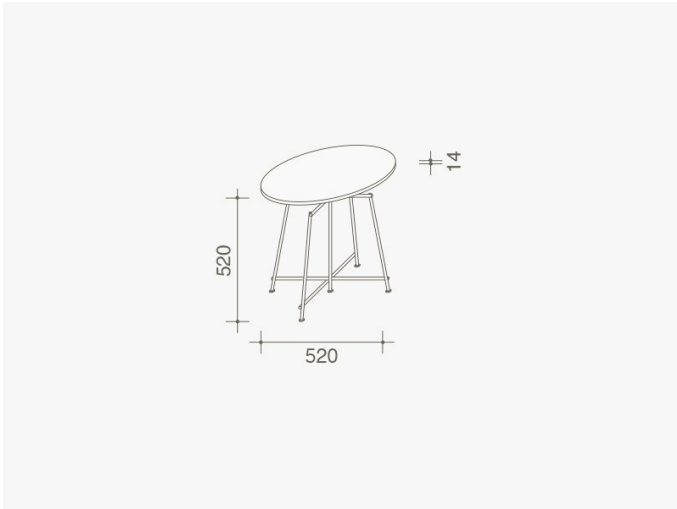
## MR.ZENGH

*Design by:*  
Roberto Lazzeroni

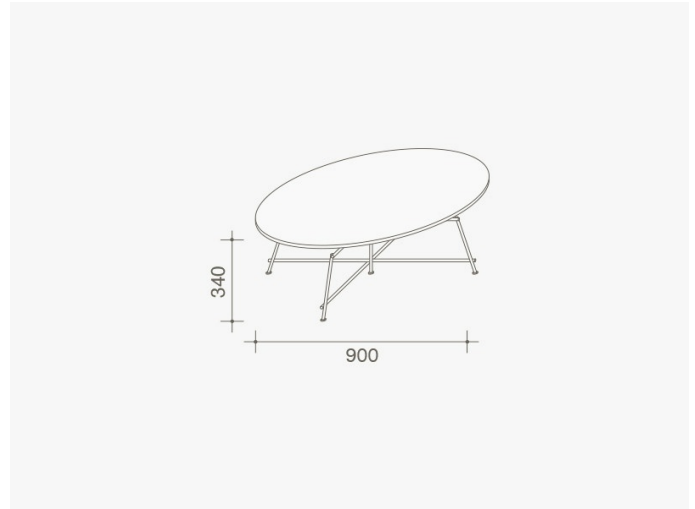
*Year:*  
2014

A symmetrical bamboo-effect interlocking puzzle characterises Mr. Zheng coffee tables by Roberto Lazzeroni, which name underscores its Far East inspiration. The parts of the bases framework – 10 mm steel rods – are welded horizontally and vertically, forming a weave. The top available in lacquered-wood, in over 40 matt colours of Lema's collection and in inlaid Canaletto walnut for some versions, create juxtaposition, thanks to the materials that contrast the lightness of the chrome. Four different proposals in the catalogue: three with round top, one tall and two small and in addition one small with oval top. STRUCTURE: - Metal COUNTERS: -Matt lacquered -Wood (round d.mm1200 e oval mm1800x1000)

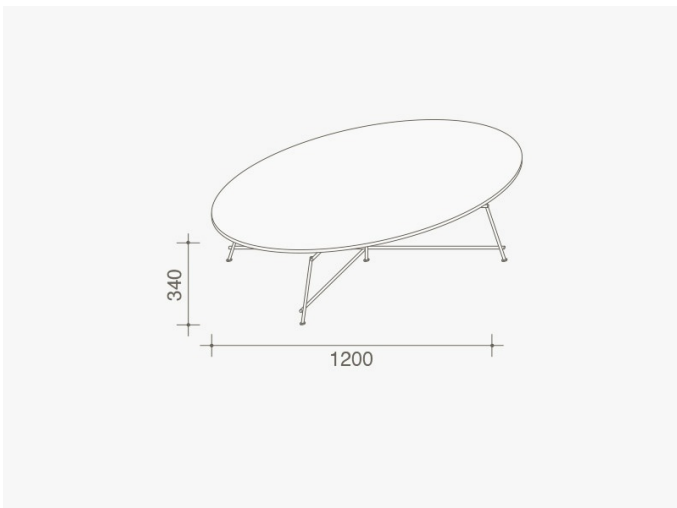
# TECHNICAL DRAWINGS



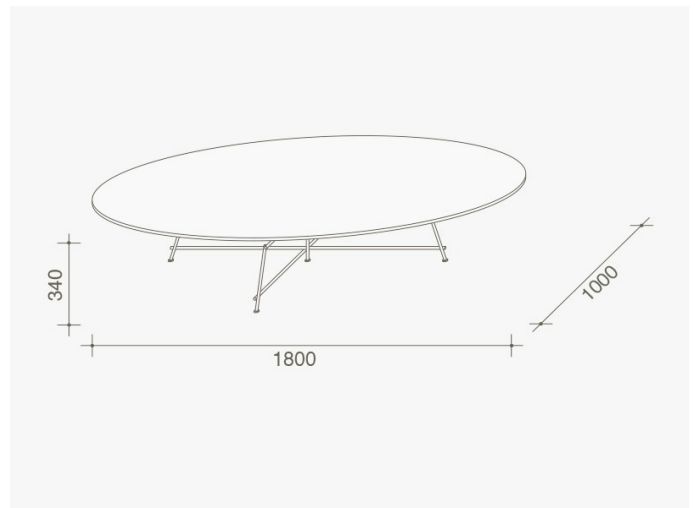
— *mr\_zeng\_01*



— *mr\_zeng\_02*



— *mr\_zeng\_03*



— *mr\_zeng\_04*