



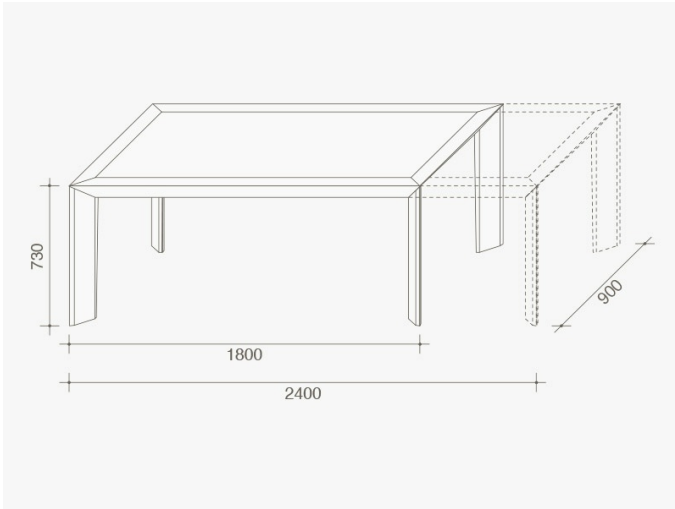
THERA

Design by:
Marelli & Molteni

Year:
2014

The thermo-treated oak, with its materiality and its veins, is the centrepiece of Thera, an extendable table signed by Marelli E Molteni. The plan, starting from 180 cm and reaching a maximum length of 240 cm, is supported by legs of triangular section positioned obliquely with respect to the top in order to create an interlocking harmonic geometry. The bottom part is characterised by concave elements that complete the linear shape of the table, creating a storage unit that hides the most technical mechanisms, a merger between design and functionality.

TECHNICAL DRAWINGS



— *thera_01*