



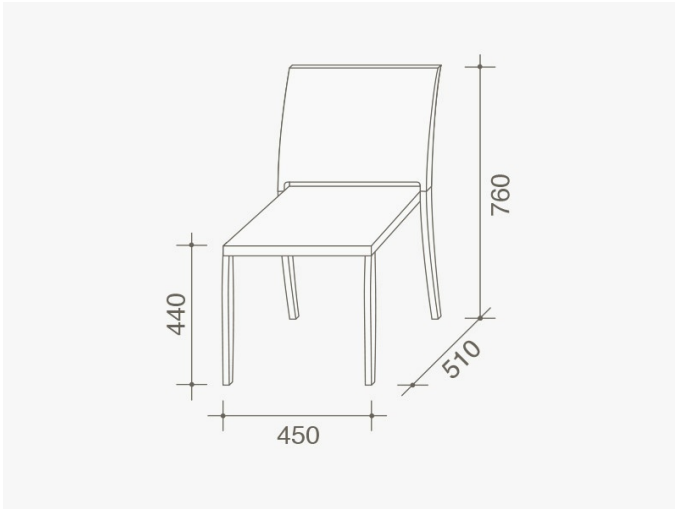
TOA

Design by:
Officinadesign Lema

Year:
2012

Absolute lightness of this chair featuring a light metal structure with four tapered, square sectioned legs combined with a seat and back of plastic. Its elegant linear traces are exalted by contemporary materials to provide a piece of furniture that can be placed anywhere.

TECHNICAL DRAWINGS



— *toa_01*