



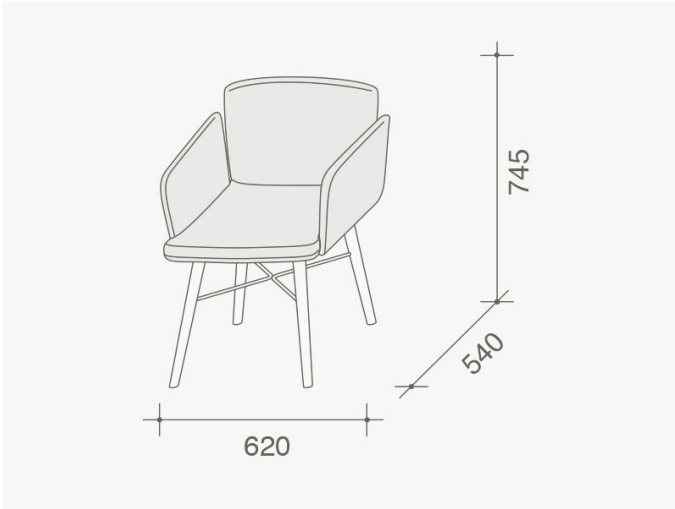
TABBY

Design by:
Gordon Guillaumier

Year:
2012

Elegant and refined, with a timeless allure, it stands out for the solid wood structure and cosy and harmonious forms of the seat proposed with leather upholstery with busted out stitching that underscore Lema's tailoring approach. The comfortable padding adds to the softness.
Structure: - Wood Seat/ backrest: - Eco-leather -
Leather - Fabric

TECHNICAL DRAWINGS



— *tabby_01*