



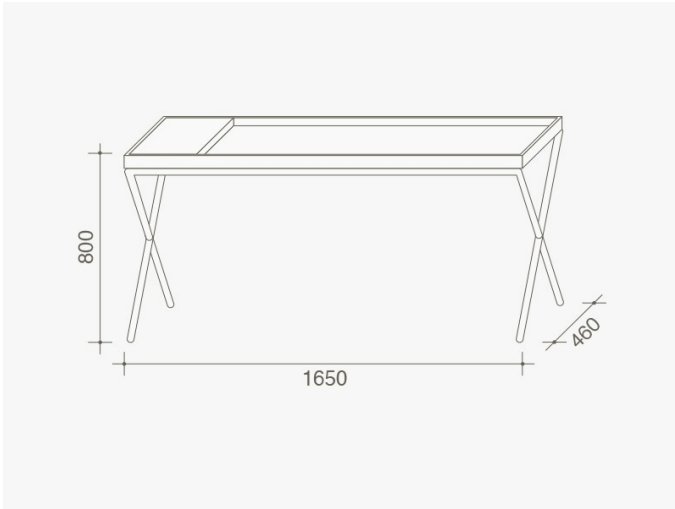
# NOVEL

*Design by:*  
Christophe Pillet

*Year:*  
2014

The combination of materials is the interpretation of this elegant console with vintage taste designed by Christophe Pillet. The chromed-metal tube legs contrast the Canaletto walnut top that is both natural and at the same time refined. A leather-covered storage compartment is hidden under the tabletop: an interesting encounter between the luxury of the materials and their functionality, between craftsman work and contemporary use. Structure: –Metal Tray and equipment: –Wood

# TECHNICAL DRAWINGS



— *novel\_01*