



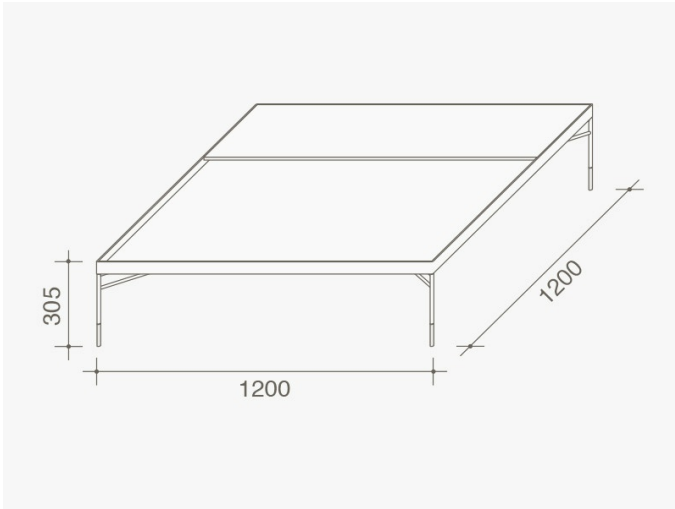
MANSION

Design by:
Christophe Pillet

Year:
2014

Mansion by Christophe Pillet is a coffee table characterised by a light and sublime base in bronzed metal, onto which a tub in cutting-edge rigid material is welded, serving as storage unit as well as typical support. A slab in precious thermo-treated oak crosses the entire top, creating a particular three-dimensional effect and surface overlap from a visual and material point of view.
STRUCTURE: -Metal TRAY: -Hpl SLIDING TOP: - Wood

TECHNICAL DRAWINGS



— *mansion_01*