



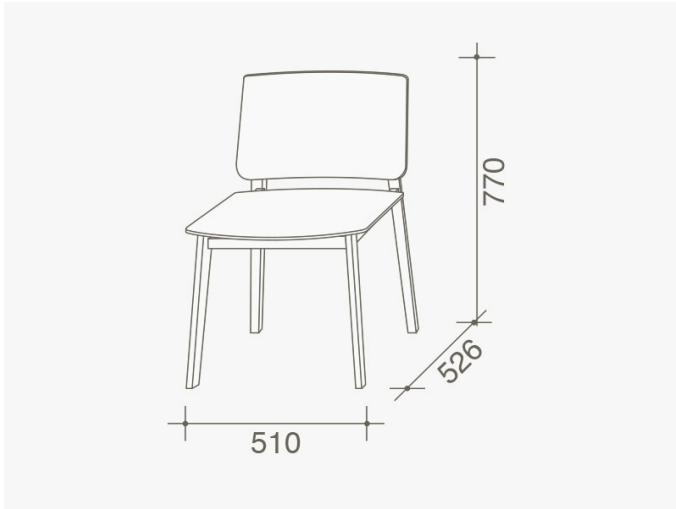
HATI

Design by:
Piero Lissoni

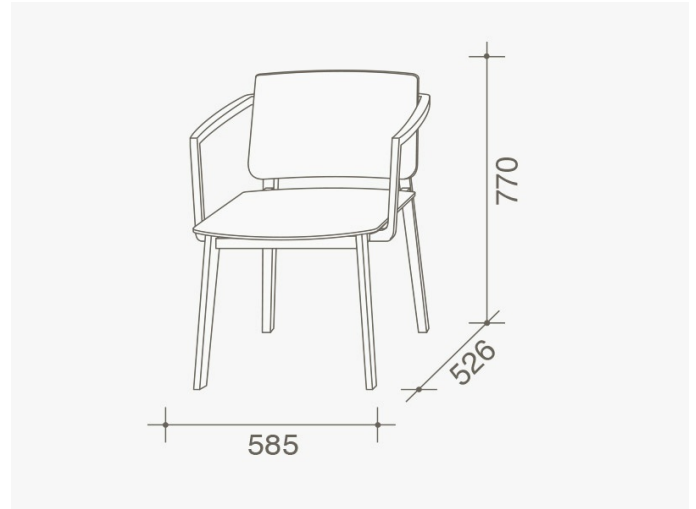
Year:
2009

The rigorous design by Piero Lissoni creates a linear yet warm-looking seat. A product able to adapt to any furnishing context thanks to the different variants in the catalogue: chair or armchair, available in the version with backrest and seat in fabric, leather, eco-leather, twine or entirely in wood. The shapes are reminiscent of some past chairs, reworked to highlight structures and enhance its proportions. Structure: - Wood * Tinto rovere termotrattato only available for seat and back in fabric, eco-leather and leather. ** Natural ash, available only in the version with armrests. Seat/backrest: - Wood - Fabric - Leather - Eco-leather - Natural woven twine, available only in the version with armrests.

TECHNICAL DRAWINGS



— *hati_01*



— *hati_02*